

SCALE 0.150

BILL OF MATERIALS				
ITEM	QTY	DESCRIPTION	MANUF.	MANUF. NO.
1	1	FLANGE, CATALYST	KUBOTA	EPS2483
2	1	OXYGEN SENSOR PORT	POWERBOSS	EPS2515
3	1	HYUNDAI 2.0 SENSOR ELBOW (MOD)	POWERBOSS	EPS3504
4	1	HYUNDAI 2.0 SLASH CUT ELBOW (MOD)	KUBOTA	EPS3505
5	1	HYUNDAI 2.0 PIPE SECTION 3	POWERBOSS	EPS3508
6	1	MUFFLER KIT	KUBOTA	EG-561-12001

NOTES:
 PLEASE TORQUE BOLTS TO THE FOLLOWING VALUE;
 PART A) 25 FT-LBS
 PART B) 25 FT-LBS

POWERBOSS HAS CONFIRMED THE TORQUE
 QA ABOVE TO JOINT BETWEEN THE
 EXHAUST MANIFOLD AND THE CONVERTER

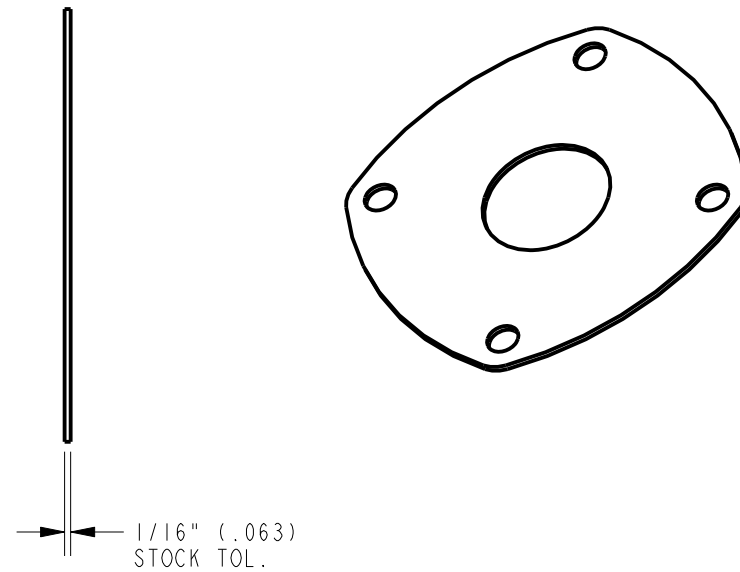
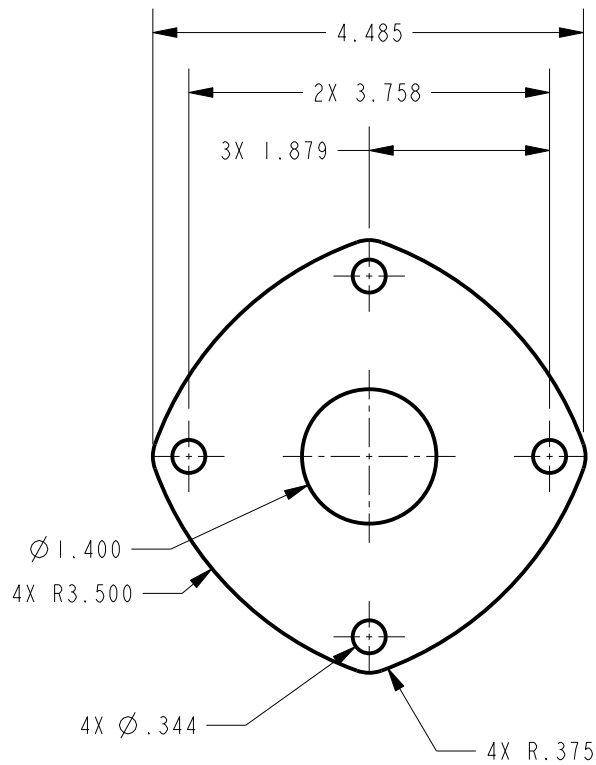
REV ECH DATE CHANGE BY CHK BY

CORP-1-A-AI	
THIS DRAWING IS THE PROPERTY OF POWERBOSS. IT IS TO BE USED ONLY FOR THE MANUFACTURE OF THE PARTS SPECIFIED HEREIN. IT IS NOT TO BE REPRODUCED OR TRANSMITTED IN ANY FORM OR BY ANY MEANS, ELECTRONIC OR MECHANICAL, INCLUDING PHOTOCOPYING, RECORDING, OR BY ANY INFORMATION STORAGE AND RETRIEVAL SYSTEM. ALL INFORMATION CONTAINED HEREIN IS UNCLASSIFIED.	
ITEM	GASKET-EXHAUST 6X
QTY	1
DATE	03/01/00
BY	POWERBOSS
CHK BY	POWERBOSS
REV	03/01/00
ECH	03/01/00
DATE	03/01/00
CHANGE	
BY	
CHK BY	
Minuteman® POWERBOSS®	1/2 ANDERSON STREET SHEPHERD, NC 28150
P.N.	3338233

Exhaust System

FOR MORE INFORMATION PLEASE REFER TO TO THE DEL

Item #	Description	Part #
1	Exhaust Manifold	15862-12314
2	Exhaust Manifold Adapter	3338245
3	Exhaust Manifold Adapter	3338244
4	Catalytic Converter	EG801-12020
5	Exhaust Pipe	3338243
6	Muffler Kit	EG561-12001



CONFIDENTIAL

THIS DRAWING AND ALL INFORMATION CONTAINED HEREIN ARE THE EXCLUSIVE PROPERTY OF MINUTEMAN INTERNATIONAL, INC. THIS DRAWING IS NOT TO BE COPIED OR OTHERWISE REPRODUCED WITHOUT EXPRESSED WRITTEN PERMISSION OF MINUTEMAN INTERNATIONAL, INC. IN ADDITION, THIS DRAWING MUST BE RETURNED UPON REQUEST. FURTHER, ALL INFORMATION CONTAINED HEREIN MUST BE MAINTAINED CONFIDENTIAL.

TITLE	GASKET-EXHAUST 6X	SCALE	NTS
-------	--------------------------	-------	-----

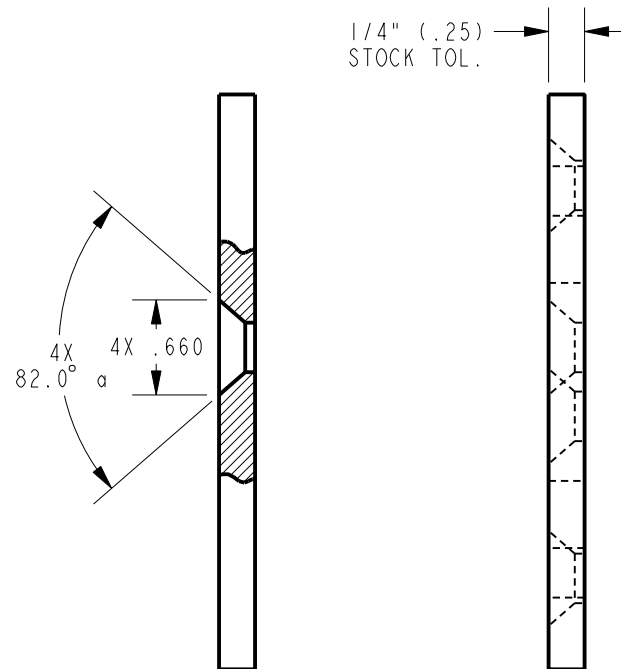
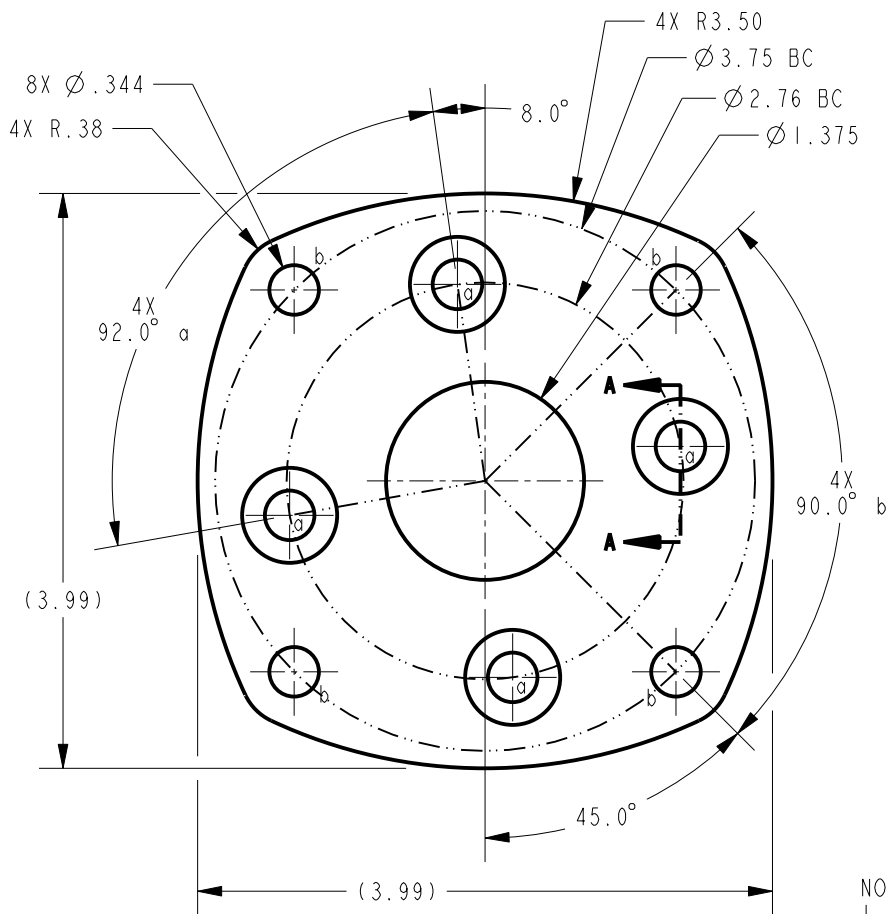
MATERIAL	1/16" (.0625) THK 3003-O AL	FINISH	PB-FIN.NF.NA
----------	-----------------------------	--------	--------------

TOLERANCES (UNLESS OTHERWISE SPECIFIED) REMOVE BURRS AND BREAK SHARP EDGES .005/.020

.X ± .1 .XX ± .03 .XXX ± .010	ANGULAR X ± 1° X ± .5°	DRAWN BY	CRC	DATE	8/3/11
		CHECKED BY	TBD	DATE	00/00/00

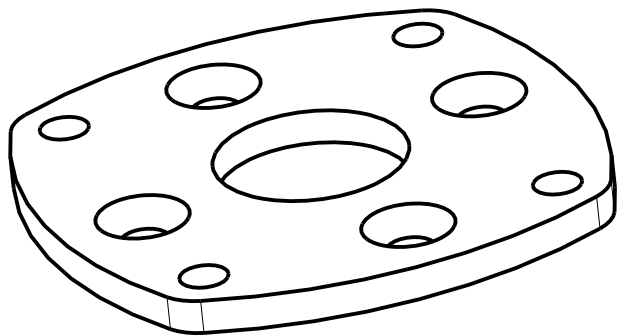
REV	ECN	DATE	CHANGE	BY	CHK BY
.	.	6/03/11	RELEASED FOR PRODUCTION	CRC	

Minuteman® PowerBoss® 175 ANDERSON STREET ABERDEEN, NC 28315	P.N. 3338233	SHEET 1 OF 1 REV *
---	-------------------------------	-----------------------



SECTION A-A

- NOTES:
 1. PART IS NOT REVERSABLE
 2. PAGE 2 IS 1:1 SCALE FOR LASER DXF



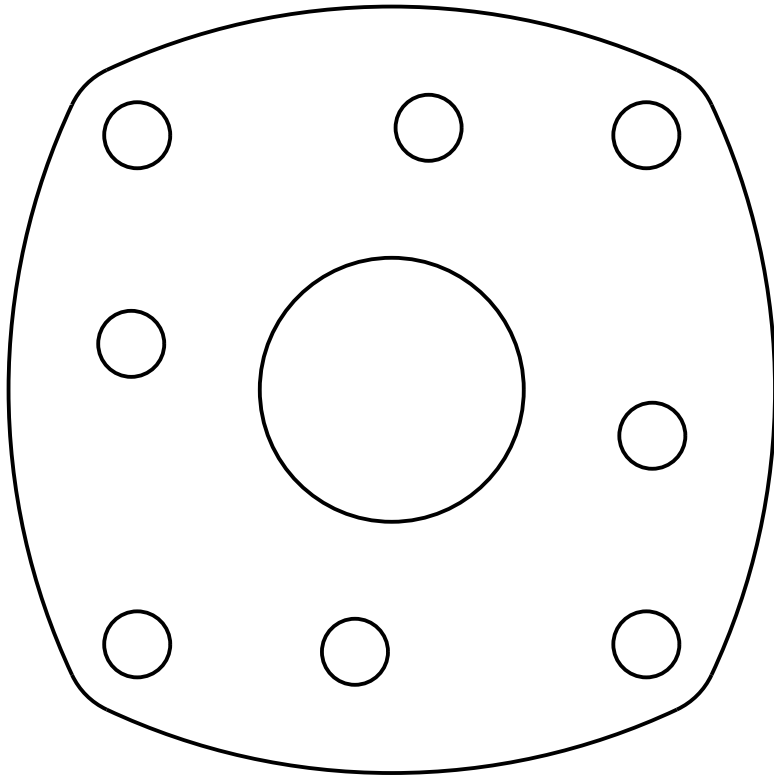
CONFIDENTIAL

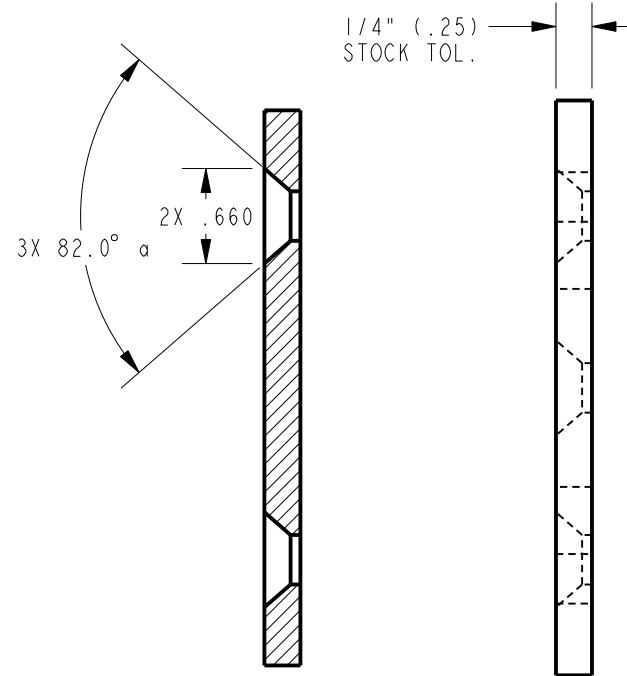
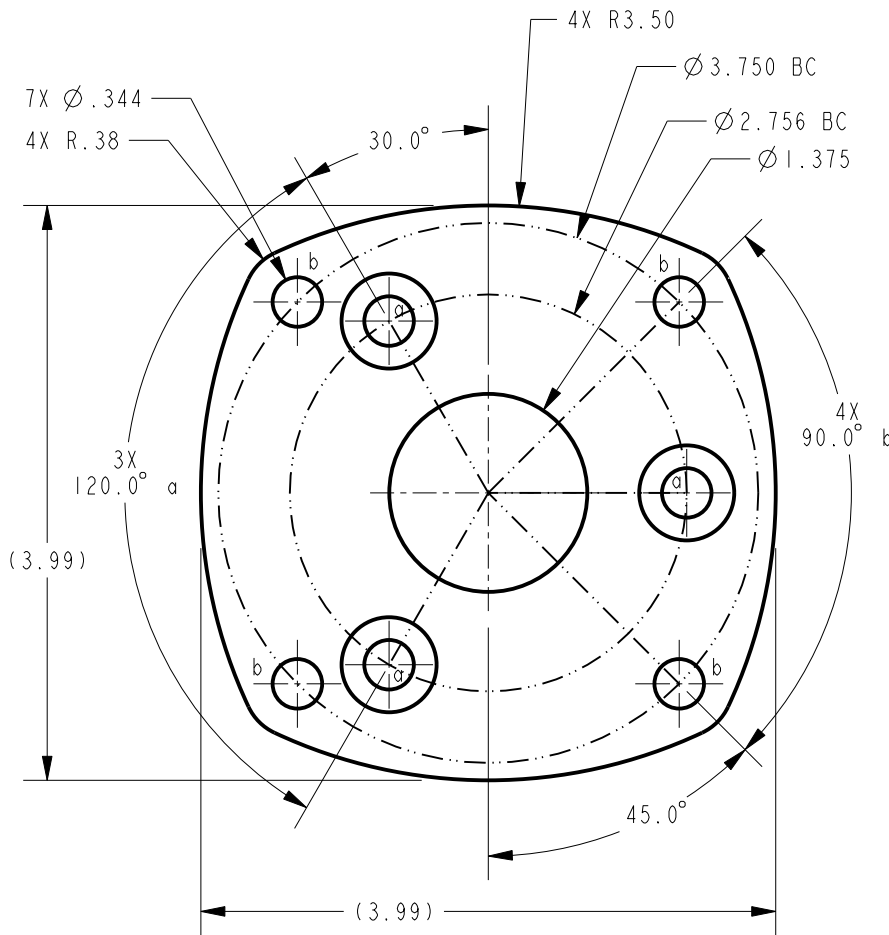
THIS DRAWING AND ALL INFORMATION CONTAINED HEREIN ARE THE EXCLUSIVE PROPERTY OF MINUTEMAN INTERNATIONAL, INC. THIS DRAWING IS NOT TO BE COPIED OR OTHERWISE REPRODUCED WITHOUT EXPRESSED WRITTEN PERMISSION OF MINUTEMAN INTERNATIONAL, INC. IN ADDITION, THIS DRAWING MUST BE RETURNED UPON REQUEST. FURTHER, ALL INFORMATION CONTAINED HEREIN MUST BE MAINTAINED CONFIDENTIAL.

TITLE ADAPTOR - EXHAUST MANIFOLD		SCALE NTS
MATERIAL 1/4" (.25) THK 1010-1020 CRS		FINISH PB-FIN.PT.HB
TOLERANCES (UNLESS OTHERWISE SPECIFIED)		REMOVE BURRS AND BREAK SHARP EDGES .005/.020

REV	ECN	DATE	CHANGE	BY	CHK BY
1	-	04/08/10	PROTOTYPE PART	EWM	
*	-	08/15/12	RELEASED FOR PRODUCTION	EWM	

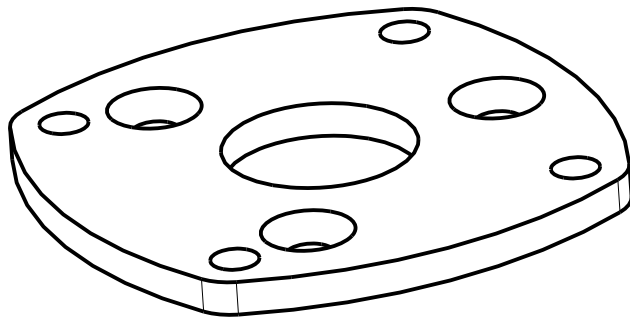
.X ± .1 .XX ± .03 .XXX ± .010		ANGULAR X ± 1° X ± .5°		DRAWN BY EMARTIN	DATE 04/08/2010
Minuteman® POWERBOSS®				CHECKED BY TBD	DATE 00/00/00
175 ANDERSON STREET ABERDEEN, NC 28315			P.N. 3338244		REV *





SECTION A-A

NOTES:
 1. PAGE 2 IS 1:1 SCALE FOR LASER DXF



CONFIDENTIAL

THIS DRAWING AND ALL INFORMATION CONTAINED HEREIN ARE THE EXCLUSIVE PROPERTY OF MINUTEMAN INTERNATIONAL, INC. THIS DRAWING IS NOT TO BE COPIED OR OTHERWISE REPRODUCED WITHOUT EXPRESSED WRITTEN PERMISSION OF MINUTEMAN INTERNATIONAL, INC. IN ADDITION, THIS DRAWING MUST BE RETURNED UPON REQUEST. FURTHER, ALL INFORMATION CONTAINED HEREIN MUST BE MAINTAINED CONFIDENTIAL.

TITLE ADAPTOR - EXHAUST MANIFOLD		SCALE NTS
MATERIAL 1/4" (.25) THK 1010-1020 CRS		FINISH PB-FIN.PT.HB
TOLERANCES (UNLESS OTHERWISE SPECIFIED)		REMOVE BURRS AND BREAK SHARP EDGES .005/.020

.X ± .1
.XX ± .03
.XXX ± .010
ANGULAR
X ± 1°
X ± .5°

DRAWN BY EMARTIN	DATE 04/08/2010
CHECKED BY TBD	DATE 00/00/00

REV	ECN	DATE	CHANGE	BY	CHK BY
*	-	8/15/12	RELEASED FOR PRODUCTION	EWM	
1	-	04/08/10	PROTOTYPE PART	EWM	

Minuteman®
POWERBOSS®
 175 ANDERSON STREET
 ABERDEEN, NC 28315

P.N.
3338245
 SHEET 1 OF 2
 REV *

